



# The New Car Frame Series BLF

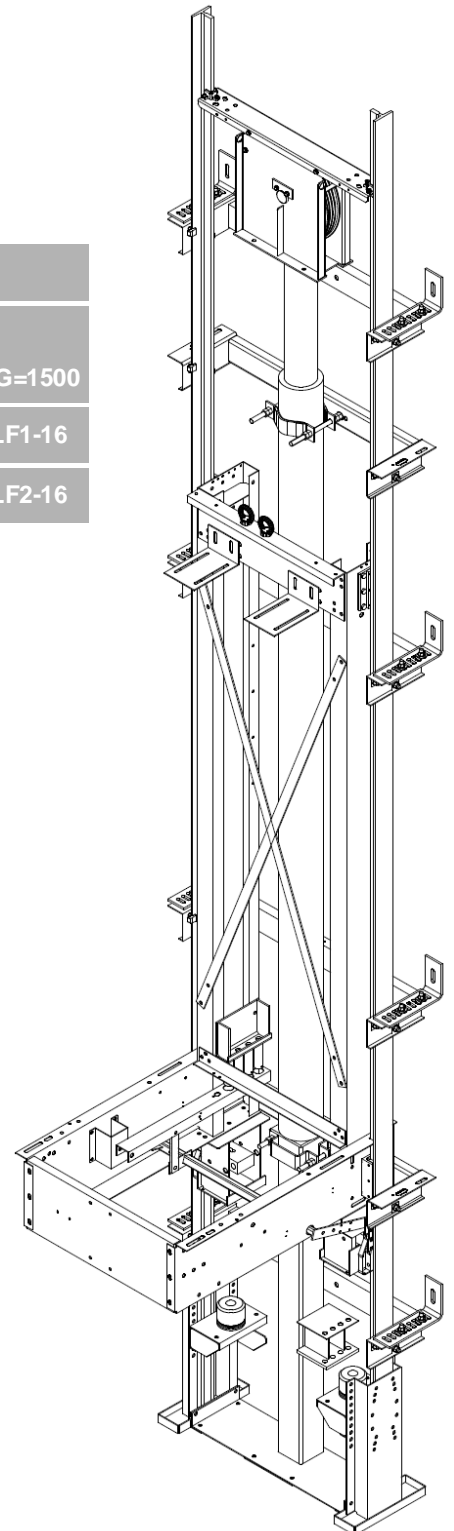
for standard applications with cantilevered car frame arrangement

Available car frame sizes:

BLF	Total Weight / DBG					
	1200 kg DBG=600	1550 kg DBG=800	2500 kg DBG=800   DBG=1100		3500 kg DBG=1100   DBG=1500	
1:1	BLF1-03	BLF1-06	BLF1-10	BLF1-10	BLF1-16	BLF1-16
2:1	BLF2-03	BLF2-06	BLF2-10	BLF2-10	BLF2-16	BLF2-16

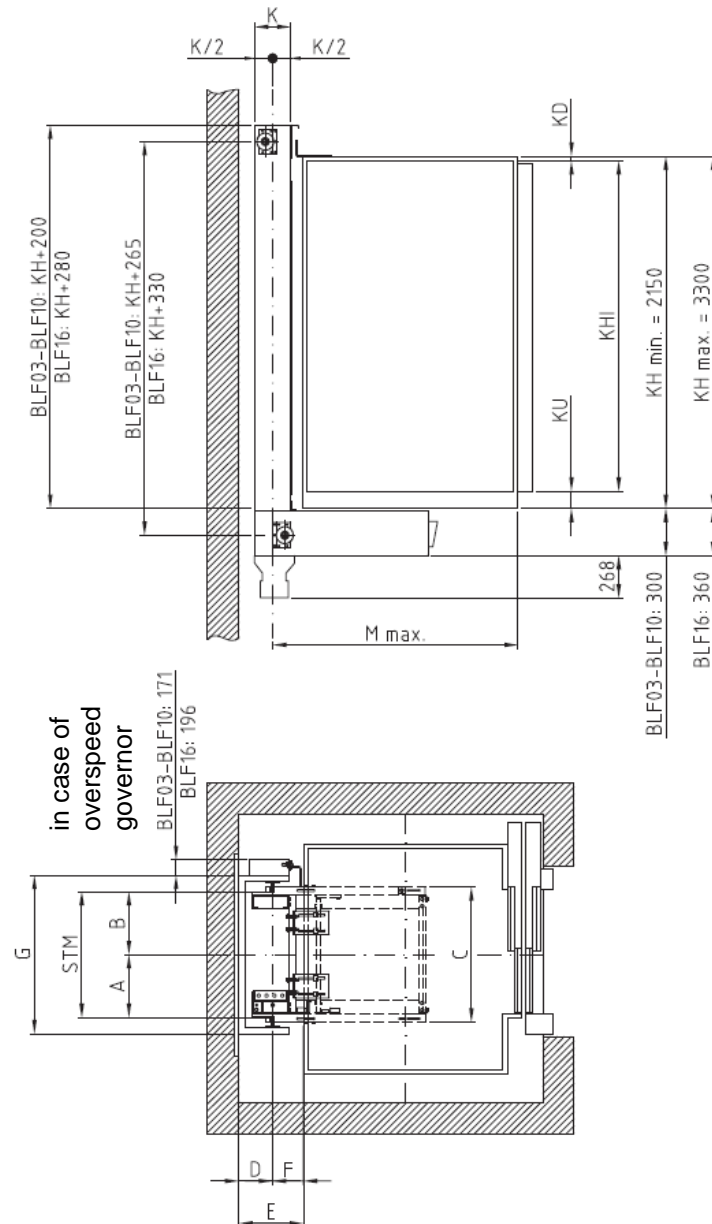
Advantages:

- Several variations with same car frame type
- Simple layout
- Clear design
- Just one supporting shaft wall necessary
- Diagonal entrances feasible
- Good accessibility to important components
- Easy and quick installation
- Rail brackets available for different wall distances



For the project planning please ask for our technical catalogue.  
The complete documentation can also be downloaded from the internet on [www.bucherhydraulics.com](http://www.bucherhydraulics.com) (registration required).

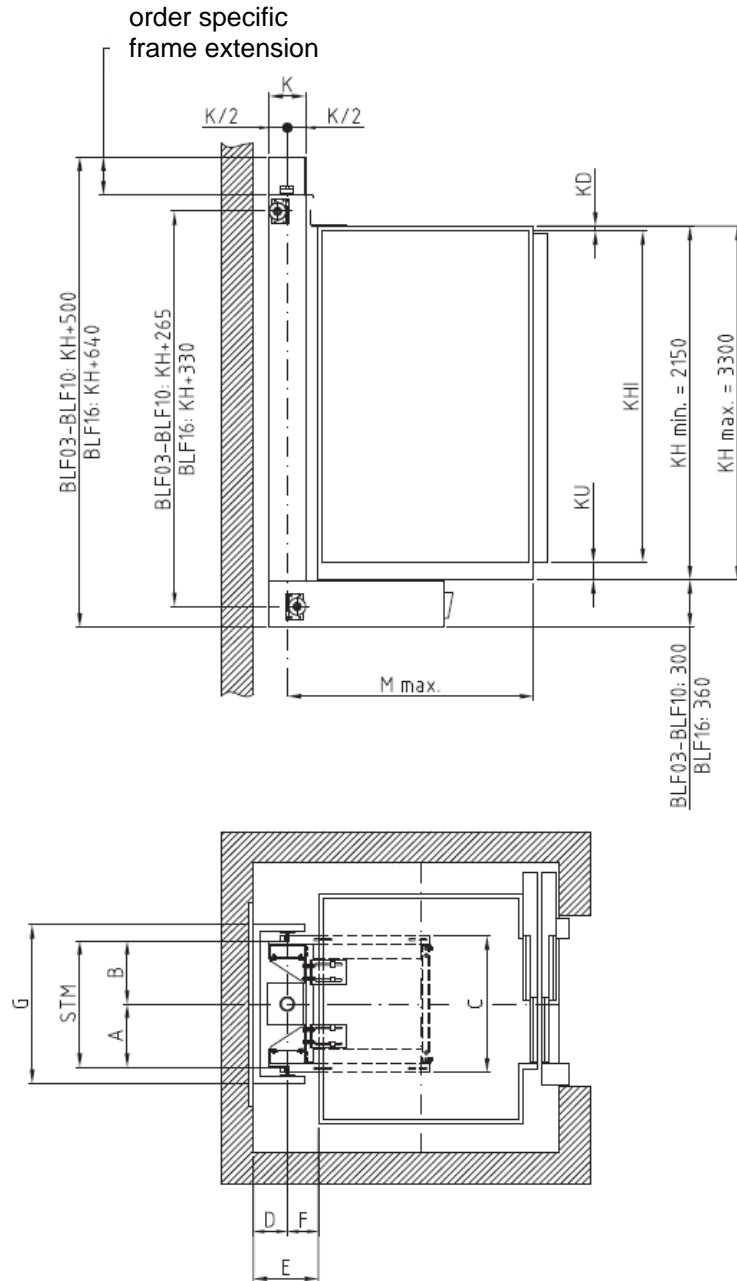
## Layout data BLF2 (2:1)



### Dimensions [mm]:

L-frame type	betw. rails	A	B	C	D min	E	F min	G	K	M max
BLF03-600	600	300	300	660	200	345	145	914	230	1505
BLF06-800	800	400	400	860	200	345	145	1114	230	1505
BLF10-800	800	400	400	860	230	375	145	1114	230	1955
BLF10-1100	1100	400	700	1160	230	375	145	1414	230	1955
BLF16-1100	1100	620	480	1194	255	435	180	1538	300	2290
BLF16-1500	1500	880	480	1594	255	435	180	1938	300	2290

## Layout data BLF1 (1:1)



### Dimensions [mm]:

L-frame type	STM	A	B	C	D min	E	F min	G	K	M max
BLF03-600	600	300	300	660	200	345	145	914	230	1505
BLF06-800	800	400	400	860	200	345	145	1114	230	1505
BLF10-800	800	400	400	860	230	375	145	1114	230	1955
BLF10-1100	1100	550	550	1160	230	375	145	1414	230	1955
BLF16-1100	1100	550	550	1194	255	435	180	1538	300	2290
BLF16-1500	1500	750	750	1594	255	435	180	1938	300	2290